

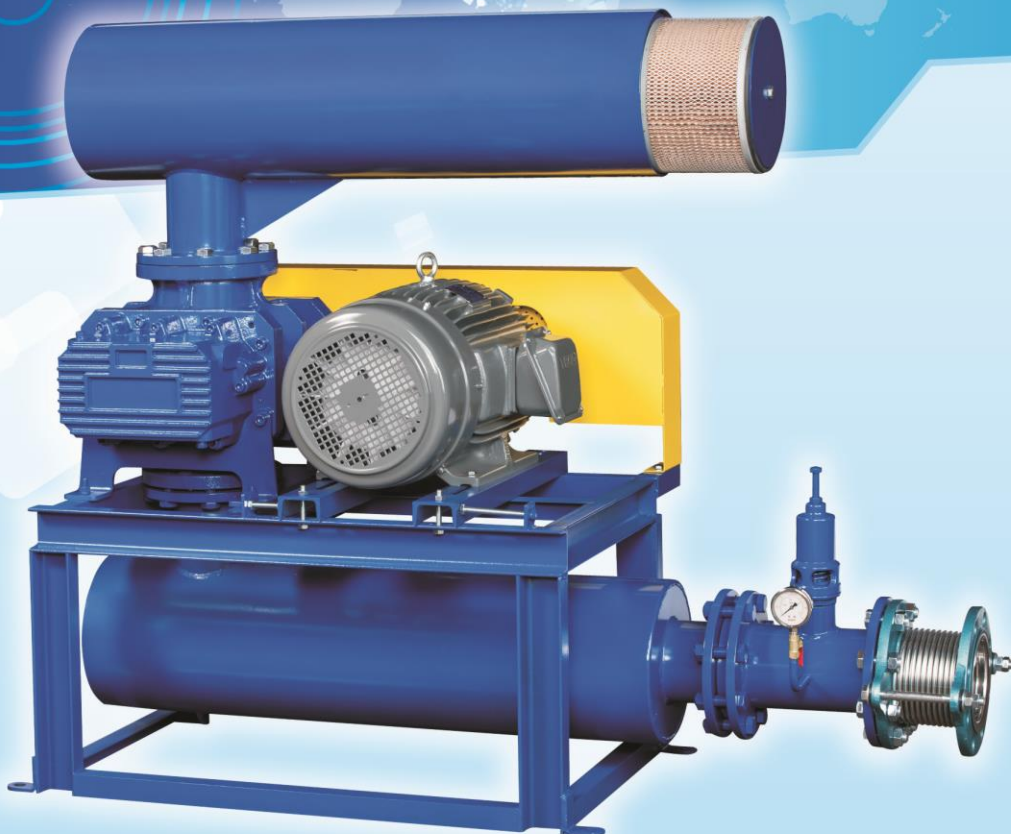


HEY-WEL
MECHANICAL CO., LTD.



EV-Series

Roots Blower

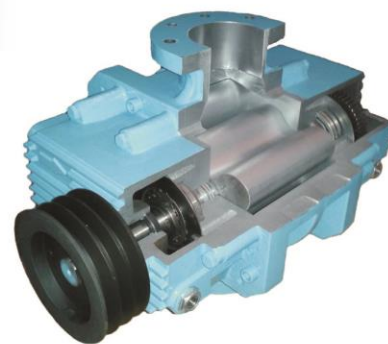


COMPANY'S PROFILE

Hey-wel Mechanical Co., Ltd. is the first professional manufacturer for 3-lobe roots blower in Taiwan, with our diligence, faith and honor for developing roots blower, we have the high pressure water cooled blowers, the submersible blowers, EV-Series high efficiency blowers, the high pressure roots vacuum pump with air injection, booster and vertical blower.

BRIEF INTRODUCTION

EV series 3-lobe roots blowers are researched and developed on a basis of RSS series. The biggest feature of this blower is high rotation speed (the maximum can be 4000RPM) · high capacity. With the breakthrough of technology and the modification of practical application, EV series blowers have higher efficiency · higher pressure · lower weight and other features. The inlet sizes are from 2.5" to 12". The pressure of single blower can be 1 Kg/cm².



FEATURES

- **High efficiency**

Great linear structure, reduce sectional area of rotors to improve capacity of blowers.

- **Low vibration**

High grade of balance accuracy (G2.5) can control the vibration of X · Y · Z coordinate.

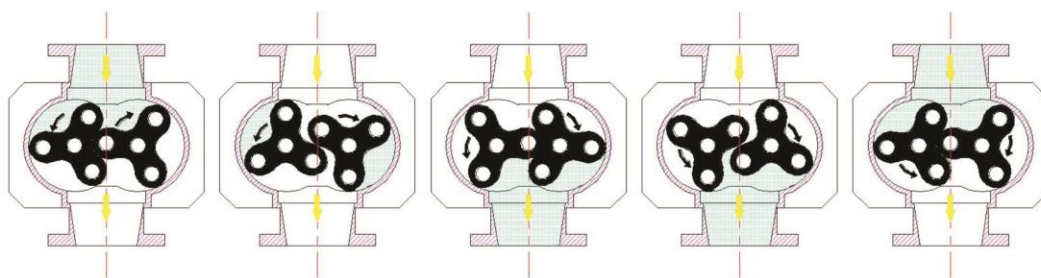
- **Low loss of pressure**

180 degrees vertical structure between inlet and outlet, reduce its pressure loss of blowers.

- **High vacuum**

The vacuum of single EV blower can be -500mmHg, and the two-stage EV blower can be -650mmHg.

OPERATING PRINCIPLE



- **Blower Working Principle**

Roots blower is a cubage blower, discharge airflow scale to the blower's speed. Every rotation, there is two lobes to finish three times absorbing and discharging air, compared with two lobes blower, the air is more smooth, smaller load change, higher strength, lower noise and vibration.

Two parallel shafts have three lobes each, all the lobes keep small clearance with each and housing inside. Every lobes rotation, a certain air will be absorbed at inlet and transferred from the housing inside surface to blower's discharge port.

Two shafts will be turned by the timing gears, no any touching between lobes, so it can be turned at high speed without any lubrication inside. It has the following characteristics: simply configuration, running smoothly, and good performance stabilization. It has been applied for many fields.

CONVERSION TABLE

PRESSURE	atm	kPa	bar	lb/in ²	kgf/cm ²	in Hg	ftAq	mmHg(Torr)	mmAq
1 atm	1	101.325	1.0325	14.696	1.0333	29.921	33.914	760	10333
1 kPt	0.0099	1	0.01	0.145	0.0102	0.295	0.335	7.5	102
1 bar	0.9869	100	1	14.504	1.0198	29.53	33.47	750	10198
1 lb/in ²	0.068	6.894	0.0689	1	0.0703	2.036	2.208	51.71	703
1 kgf/cm ²	0.968	98.062	0.981	14.228	1	28.96	32.82	735.53	10000
1 in Hg	0.0334	3.3863	0.0339	0.491	0.0345	1	1.133	25.4	345.3
1 ftAq	0.0295	2.99	0.0299	0.434	0.0305	0.882	1	22.42	304.8
1 mmHg(Torr)	0.013	0.1338	0.00138	0.019	0.0014	0.04	0.045	1	13.6
1 mmAq	0.000097	0.0098	0.000098	0.0014	0.0001	0.003	0.0033	0.074	1

CAPACITY	m ³ /min	l/min	cm ³ /s	m ³ /s	ft ³ /min(cfm)
1 m ³ /min	1	1000	16667	1016	35.288
1 l/min	0.001	1	16.67	1.02	0.0353
1 cm ³ /s	0.00006	0.06	1	0.061	0.002
1 in ³ /s	0.00098	0.983	16.39	1	0.035
1 ft ³ /min(cfm)	0.028	28.32	471.95	28.8	1

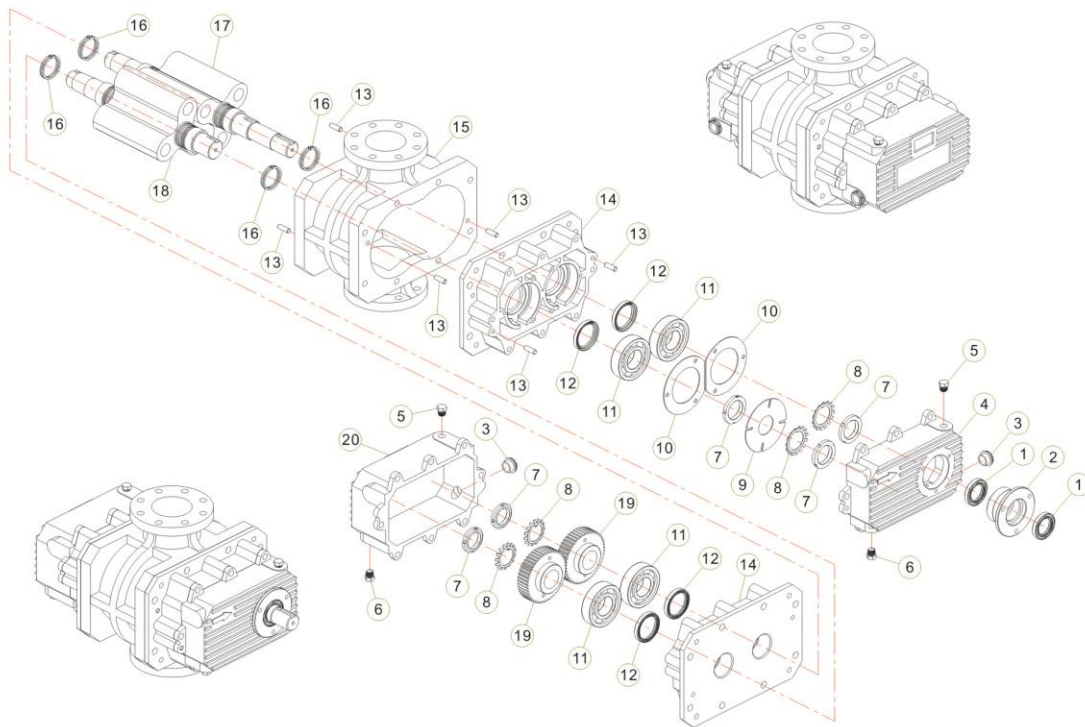
Pressure Conversion Formula

1 kPa= 1000 Pa= 1000 N/m²

1 mbar= 10.198 mmAq

1 mmHg(torr)= 133.8 Pa

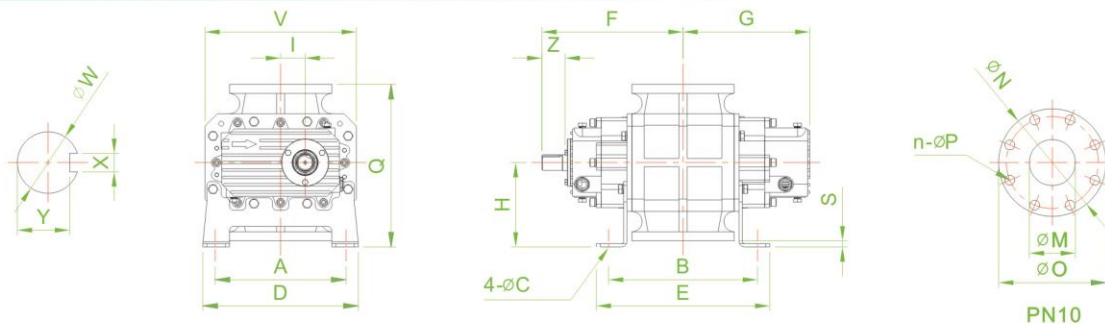
EV PARTS LIST



Item	Name	Material	O'TY
01	TC Oil seal	NBR	2
02	Seal seat	FC250	1
03	Oil gauge	AL+glass	2
04	Oil reservoir	FC250	1
05	Lubricant plug	S45C	2
06	Purge plug	S45C	2
07	Locking nut	S45C	5
08	Lock washer	S45C	4
09	Oil thrower	SS400	1
10	Bearing fixtures	SS400	2

Item	Name	Material	O'TY
11	Bearing	SUJ2	4
12	TC Oil seal	NBR	4
13	Positioning pin	S45C	6
14	Bearing case	FC250	2
15	Casing	FC250	1
16	Piston ring	FC250	8
17	Drive lobe	FCD500	1
18	Driven lobe	FCD500	1
19	Timing gear	SCM415	2
20	Gear reservoir	FC250	1

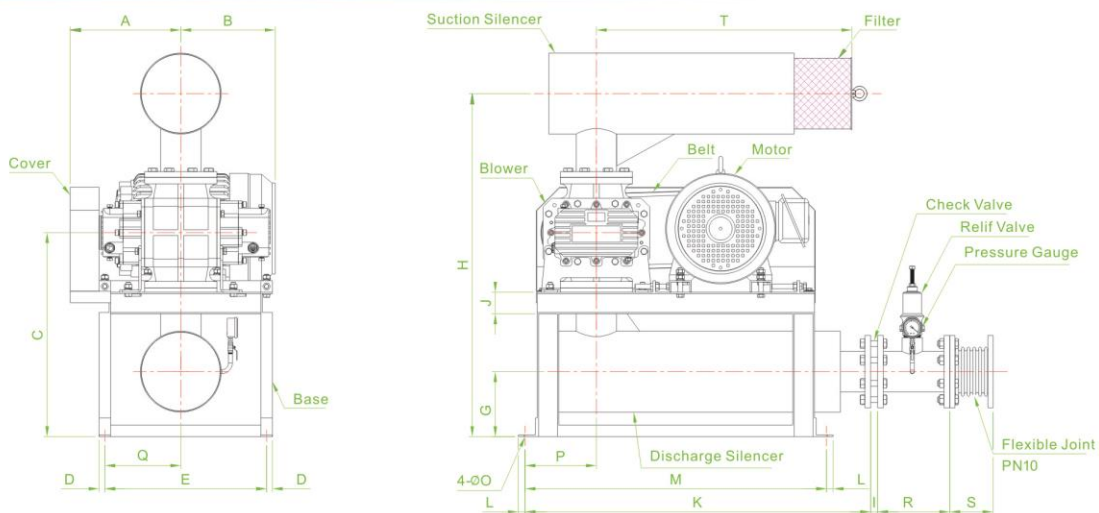
EV/EVV MAIN-BODY DIMENSION



Model	A	B	oC	D	E	F	G	H	I	Q	S	V	oW	X	Y	Z	oM	oN	oO	n-oP
EV/EVV-50	240	224	14	290	264	205	193	171	45	315.5	26.5	275	28	8	24	34	70	125	165	4-M16
EV/EVV-65	240	254	14	290	294	220	208	171	45	315.5	26.5	275	28	8	24	34	70	145	185	4-M16
EV/EVV-80	240	334	14	290	374	259	282	171	45	315.5	26.5	275	28	8	24	34	77.5	160	200	8-M16
EV/EVV-100	320	314	14	380	374	318	285	206	60	397	15	370	38	10	33	51	116	180	220	8-M16
EV/EVV-125	320	364	14	380	424	343	310	206	60	397	15	370	38	10	33	51	142	210	250	8-M16
EV/EVV-150A	350	406	19	430	446	400	380	248.5	80	481	16	474	48	14	42.5	66	167	240	285	8-M20
EV/EVV-150	350	530	19	430	570	460	440	248.5	80	481	16	474	48	14	42.5	66	167	240	285	8-M20
EV/EVV-200	475	530	19	540	586	475	449	290	100	495	85	590	60	18	53	90	200	295	340	8-M20
EV/EVV-250	510	636	22	620	686	545	598	313	120	620	6	680	65	18	58	90	200	350	395	12-M20
EV/EVV-300A	655	761	24	720	816	620	673	315	120	630	0	680	70	20	62.5	98	300	400	445	12-M20
EV/EVV-300	600	726	24	760	786	695	595	380	150	739	21	870	90	25	81	170	320	400	445	12-M20

Unit: mm

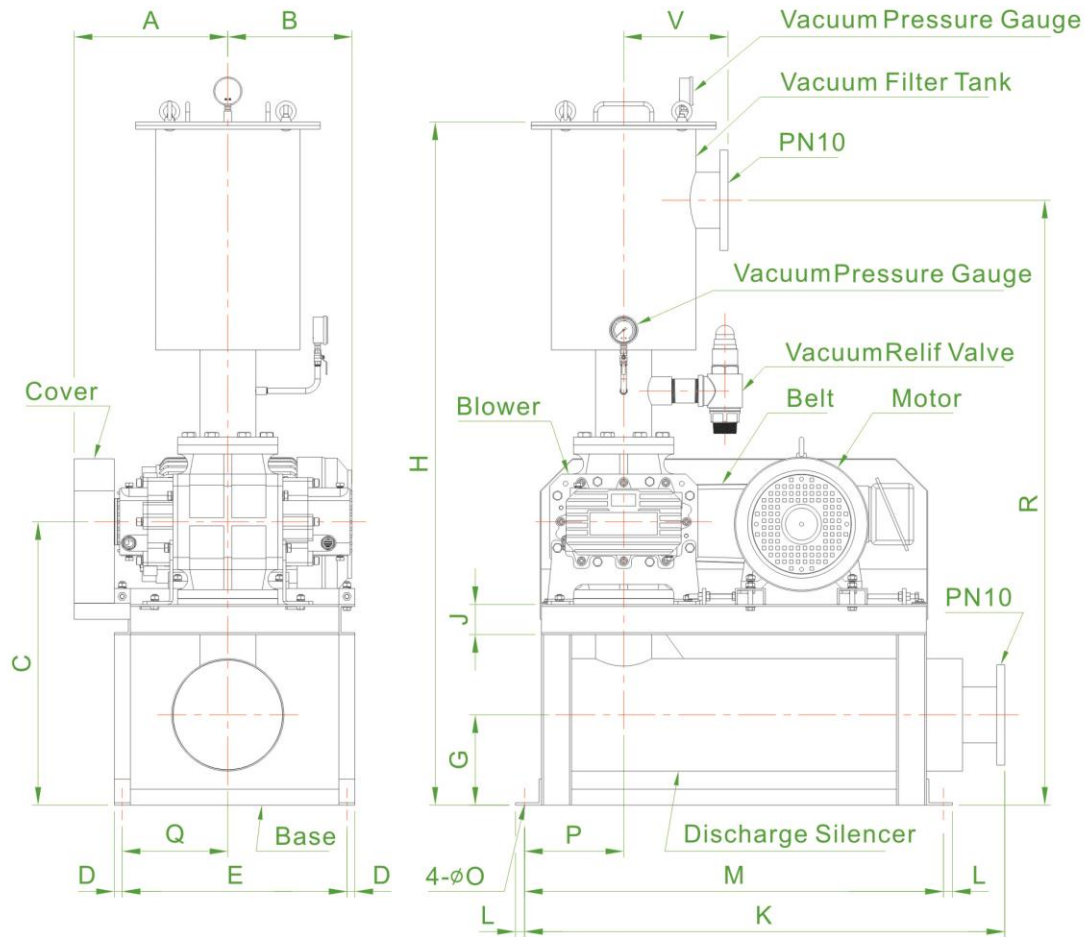
EV OVERALL DIMENSION



Model	A	B	C	D	E	G	H	I	J	K	L	M	oO	P	Q	R	S	T
EV-50	242	193	521	20	330	181.5	825.5	20	75	767	23	714	19	187	162	150	150	593
EV-65	262	242	521	20	370	181.5	825.5	24	75	767	23	714	19	187	172	150	150	593
EV-80	305	282	671	20	450	291.5	1050.5	24	75	851	23	934	19	257	200	180	150	667
EV-100	358	285	706	20	560	285	1127	22	75	967	23	1044	19	247	238	180	150	793
EV-125	383	310	706	20	560	225	1187	24	75	1197	23	1044	19	247	263	250	150	870
EV-150A	443	380	748.5	25	630	211	1276	26	100	1210	50	1020	19	205	298	250	150	1000
EV-150	510	440	748.5	25	630	211	1276	26	100	1210	50	1020	19	205	365	250	150	1000
EV-200	545	449	965	20	660	320	1535	27	125	1425	62.5	1245	22	255	330	250	200	1208
EV-250	603	598	1063	32.5	735	325	1800	28	150	1620	32.5	1510	24	365	330.5	250	200	1443
EV-300A	685.5	673	1115	37.5	845	350	1880	32	150	1865	37.5	1775	24	445	383	300	200	1539
EV-300	792	595	1180	37.5	925	371	1989	32	150	2012.5	37.5	1875	24	492.5	494.5	300	200	1539

Unit: mm

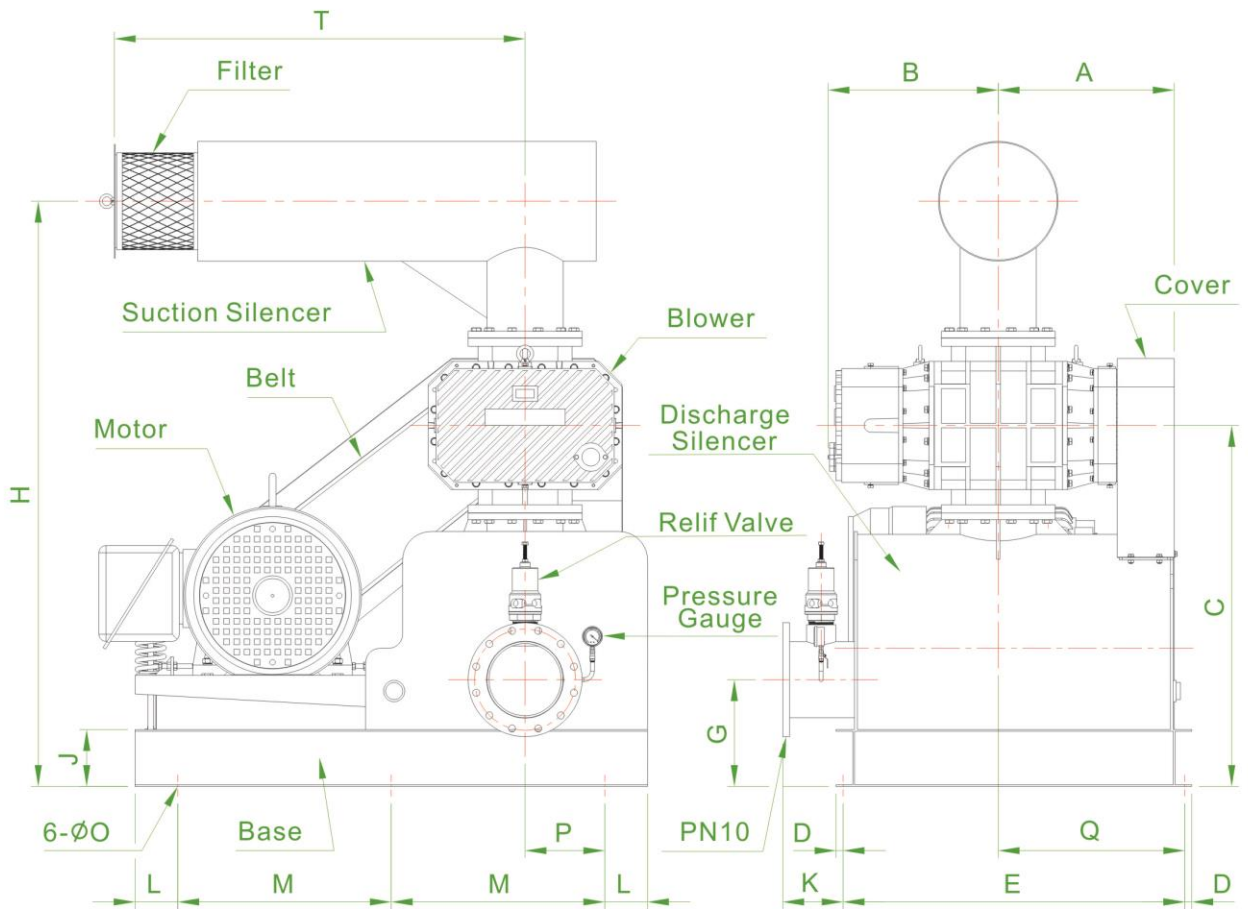
EVV OVERALL DIMENSION



Model	A	B	C	D	E	G	H	J	K	L	M	øO	P	Q	R	V
EVV-50	242	193	521	20	330	181.5	1323	75	767	23	714	19	187	162	1125	202
EVV-65	262	242	521	20	370	181.5	1323	75	767	23	714	19	187	172	1125	202
EVV-80	305	282	671	20	450	291.5	1693	75	851	23	934	19	257	200	1429	202
EVV-100	358	285	706	20	560	285	1774	75	967	23	1044	19	247	238	1510	202
EVV-125	383	310	706	20	560	225	1702	75	1197	23	1044	19	247	263	1507	260
EVV-150A	443	380	748.5	25	630	211	1906	100	1210	50	1020	19	205	298	1671	260
EVV-150	510	440	748.5	25	630	211	1906	100	1210	50	1020	19	205	365	1671	260
EVV-200	545	449	965	20	660	320	2245	125	1425	62.5	1245	22	255	330	1940	310
EVV-250	603	598	1063	32.5	735	325	2570	150	1620	32.5	1510	24	365	330.5	2270	310
EVV-300A	685.5	673	1115	37.5	845	350	2780	150	1865	37.5	1775	24	445	383	2430	405
EVV-300	792	595	1180	37.5	925	371	2889	150	2013	37.5	1875	24	492.5	494.5	2539	405

Unit: mm

EVT OVERALL DIMENSION



Model	A	B	C	D	E	G	H	J	K	L	M	øO	P	Q	T
EVT-50	242	193	684.5	20	610	270	989	75	160	100	500	14	130	280	593
EVT-65	252	242	684.5	20	610	270	989	75	160	100	500	14	130	280	593
EVT-80	292	282	684.5	20	610	270	1064	75	160	100	500	14	130	320	667
EVT-100	353	285	741	20	760	200	1162	100	170	100	550	14	130	380	793
EVT-125	378	310	741	20	760	200	1222	100	170	100	550	14	130	405	870
EVT-150A	469	380	837.5	15	950	275	1365	75	180	100	650	14	155	461	1000
EVT-150	518	440	837.5	15	950	275	1365	75	180	100	650	14	155	521	1000
EVT-200	518	449	895	25	1100	300	1465	125	185	100	700	19	230	555	1208
EVT-250	618	598	1192	25	1200	300	1929	125	212	150	750	22	280	655	1443
EVT-300A	738	673	1320	30	1500	360	2085	150	265	100	950	24	410	795	1539
EVT-300	753	595	1364	30	1500	360	2173	150	265	100	950	24	410	795	1539

Unit: mm

EV PERFORMANCE TABLE

NOTE : inlet flow rate Qs=m³/min

Model	RPM	Type EV-50 performance																			
		1000mmAq		2000mmAq		3000mmAq		4000mmAq		5000mmAq		6000mmAq		7000mmAq		8000mmAq		9000mmAq		10000mmAq	
		Qs	kw	Qs	kw	Qs	kw	Qs	kw	Qs	kw	Qs	kw	Qs	kw	Qs	kw	Qs	kw	Qs	kw
50	1950	2.06	0.72	1.96	1.10	1.89	1.47	1.82	1.84	1.77	2.22	1.72	2.59	1.67	2.97	1.63	3.34	1.59	3.72	1.55	4.09
	2050	2.17	0.76	2.08	1.15	2.00	1.55	1.94	1.94	1.88	2.33	1.83	2.73	1.79	3.12	1.75	3.51	1.70	3.91	1.67	4.30
	2150	2.29	0.79	2.20	1.21	2.12	1.62	2.06	2.03	2.00	2.45	1.95	2.86	1.91	3.27	1.86	3.68	1.82	4.10	1.78	4.51
	2250	2.41	0.83	2.31	1.26	2.24	1.70	2.17	2.13	2.12	2.56	2.07	2.99	2.02	3.42	1.98	3.86	1.94	4.29	1.90	4.72
	2350	2.53	0.87	2.43	1.32	2.36	1.77	2.29	2.22	2.24	2.67	2.19	3.12	2.14	3.58	2.10	4.03	2.06	4.48	2.02	4.93
	2450	2.65	0.91	2.55	1.38	2.47	1.85	2.41	2.32	2.35	2.79	2.30	3.26	2.26	3.73	2.22	4.20	2.17	4.67	2.14	5.14
	2550	2.76	0.94	2.67	1.43	2.59	1.92	2.53	2.41	2.47	2.90	2.42	3.39	2.38	3.88	2.33	4.37	2.29	4.86	2.25	5.35
	2650	2.88	0.98	2.78	1.49	2.71	2.00	2.65	2.51	2.59	3.02	2.54	3.52	2.49	4.03	2.45	4.54	2.41	5.05	2.37	5.56
	2750	3.00	1.02	2.90	1.54	2.83	2.07	2.76	2.60	2.71	3.13	2.66	3.66	2.61	4.18	2.57	4.71	2.53	5.24	2.49	5.77
	2850	3.12	1.05	3.02	1.60	2.94	2.15	2.88	2.70	2.82	3.24	2.77	3.79	2.73	4.34	2.69	4.88	2.65	5.43	2.61	5.98
	2950	3.23	1.09	3.14	1.66	3.06	2.22	3.00	2.79	2.94	3.36	2.89	3.92	2.85	4.49	2.80	5.06	2.76	5.62	2.72	6.19
	3050	3.35	1.13	3.25	1.71	3.18	2.30	3.12	2.88	3.06	3.47	3.01	4.06	2.96	4.64	2.92	5.23	2.88	5.81	2.84	6.40
	3150	3.47	1.16	3.37	1.77	3.30	2.37	3.23	2.98	3.18	3.58	3.13	4.19	3.08	4.79	3.04	5.40	3.00	6.00	2.96	6.61
	3250	3.59	1.20	3.49	1.83	3.41	2.45	3.35	3.07	3.30	3.70	3.24	4.32	3.20	4.95	3.16	5.57	3.12	6.19	3.08	6.82
	3350	3.70	1.24	3.61	1.88	3.53	2.52	3.47	3.17	3.41	3.81	3.36	4.45	3.32	5.10	3.27	5.74	3.23	6.38	3.19	7.03
	3450	3.82	1.28	3.72	1.94	3.65	2.60	3.59	3.26	3.53	3.93	3.48	4.59	3.43	5.25	3.39	5.91	3.35	6.58	3.31	7.24

Model	RPM	Type EV-65 performance																			
		1000mmAq		2000mmAq		3000mmAq		4000mmAq		5000mmAq		6000mmAq		7000mmAq		8000mmAq		9000mmAq		10000mmAq	
		Qs	kw	Qs	kw	Qs	kw	Qs	kw	Qs	kw	Qs	kw	Qs	kw	Qs	kw	Qs	kw	Qs	kw
65	1950	2.74	0.96	2.61	1.46	2.51	1.96	2.43	2.46	2.36	2.96	2.29	3.46	2.23	3.96	2.17	4.46	2.12	4.96	2.07	5.45
	2050	2.90	1.01	2.77	1.54	2.67	2.06	2.59	2.58	2.51	3.11	2.45	3.63	2.38	4.16	2.33	4.68	2.27	5.21	2.22	5.73
	2150	3.06	1.06	2.93	1.61	2.83	2.16	2.74	2.71	2.67	3.26	2.60	3.81	2.54	4.36	2.48	4.91	2.43	5.46	2.38	6.01
	2250	3.21	1.11	3.08	1.69	2.98	2.26	2.90	2.84	2.83	3.41	2.76	3.99	2.70	4.57	2.64	5.14	2.59	5.72	2.54	6.29
	2350	3.37	1.16	3.24	1.76	3.14	2.36	3.06	2.96	2.98	3.56	2.92	4.17	2.85	4.77	2.80	5.37	2.74	5.97	2.69	6.57
	2450	3.53	1.21	3.40	1.83	3.30	2.46	3.21	3.09	3.14	3.72	3.07	4.34	3.01	4.97	2.95	5.60	2.90	6.23	2.85	6.85
	2550	3.68	1.26	3.55	1.91	3.45	2.56	3.37	3.22	3.30	3.87	3.23	4.52	3.17	5.17	3.11	5.83	3.06	6.48	3.01	7.13
	2650	3.84	1.31	3.71	1.98	3.61	2.66	3.53	3.34	3.45	4.02	3.39	4.70	3.32	5.38	3.27	6.06	3.21	6.73	3.16	7.41
	2750	4.00	1.36	3.87	2.06	3.77	2.76	3.68	3.47	3.61	4.17	3.54	4.88	3.48	5.58	3.42	6.28	3.37	6.99	3.32	7.69
	2850	4.15	1.40	4.02	2.13	3.92	2.86	3.84	3.59	3.77	4.32	3.70	5.05	3.64	5.78	3.58	6.51	3.53	7.24	3.48	7.97
	2950	4.31	1.45	4.18	2.21	4.08	2.96	4.00	3.72	3.92	4.48	3.86	5.23	3.79	5.99	3.74	6.74	3.68	7.50	3.63	8.25
	3050	4.47	1.50	4.34	2.28	4.24	3.07	4.15	3.85	4.08	4.63	4.01	5.41	3.95	6.19	3.89	6.97	3.84	7.75	3.79	8.53
	3150	4.62	1.55	4.49	2.36	4.39	3.17	4.31	3.97	4.24	4.78	4.17	5.59	4.11	6.39	4.05	7.20	4.00	8.00	3.95	8.81
	3250	4.78	1.60	4.65	2.43	4.55	3.27	4.47	4.10	4.39	4.93	4.33	5.76	4.27	6.59	4.21	7.43	4.15	8.26	4.10	9.09
	3350	4.94	1.65	4.81	2.51	4.71	3.37	4.62	4.22	4.55	5.08	4.48	5.94	4.42	6.80	4.36	7.66	4.31	8.51	4.26	9.37
	3450	5.09	1.70	4.96	2.58	4.86	3.47	4.78	4.35	4.71	5.23	4.64	6.12	4.58	7.00	4.52	7.88	4.47	8.77	4.42	9.65

Model	RPM	Type EV-80 performance																			
		1000mmAq		2000mmAq		3000mmAq		4000mmAq		5000mmAq		6000mmAq		7000mmAq		8000mmAq		9000mmAq		10000mmAq	
		Qs	kw	Qs	kw	Qs	kw	Qs	kw	Qs	kw	Qs	kw	Qs	kw	Qs	kw	Qs	kw	Qs	kw
80	1950	4.69	1.40	4.52	2.23	4.39	3.06	4.28	3.89	4.18	4.73	4.10	5.56	4.02	6.39	3.94	7.22	3.87	8.06	3.81	8.89
	2050	4.95	1.47	4.78	2.35	4.65	3.22	4.54	4.09	4.44	4.97	4.36	5.84	4.28	6.72	4.20	7.59	4.13	8.47	4.07	9.34
	2150	5.21	1.54	5.04	2.46	4.91	3.38	4.80	4.29	4.71	5.21	4.62	6.13	4.54	7.05	4.46	7.96	4.39	8.88	4.33	9.80
	2250	5.47	1.61	5.30	2.57	5.17	3.53	5.06	4.49	4.97	5.45	4.88	6.41	4.80	7.37	4.73	8.33	4.66	9.29	4.59	10.25
	2350	5.73	1.69	5.56	2.69	5.43	3.69	5.32	4.69	5.23	5.70	5.14	6.70	5.06	7.70	4.99	8.70	4.92	9.71	4.85	10.71
	2450	5.99	1.76	5.82	2.80	5.70	3.85	5.59	4.89	5.49	5.94	5.40	6.98	5.32	8.03	5.25	9.08	5.18	10.12	5.11	11.17
	2550	6.25	1.83	6.09	2.92	5.96	4.01	5.85	5.09	5.75	6.18	5.66	7.27	5.58	8.36	5.51	9.45	5.44	10.53	5.37	11.62
	2650	6.52	1.90	6.35	3.03	6.22	4.16	6.11	5.29	6.01	6.42	5.93	7.55	5.85	8.69	5.77	9.82	5.70	10.95	5.64	12.08
	2750	6.78	1.97	6.61	3.15	6.48	4.32	6.37	5.49	6.27	6.67	6.19	7.84	6.11	9.01	6.03	10.19	5.96	11.36	5.90	12.53
	2850	7.04	2.04	6.87	3.26	6.74	4.48	6.63	5.69	6.53	6.91	6.45	8.12	6.37	9.34	6.29	10.56	6.22	11.77	6.16	12.99
	2950	7.30	2.12	7.13	3.37	7.00	4.63	6.89	5.89	6.80	7.15	6.71	8.41	6.63	9.67	6.55	10.93	6.48	12.19	6.42	13.45
	3050	7.56	2.19	7.39	3.49	7.26	4.79	7.15	6.09	7.06	7.39	6.97	8.69	6.89	10.00	6.82	11.30	6.75	12.60	6.68	13.90
	3150	7.82	2.26	7.65	3.60	7.52	4.95	7.41	6.29	7.32	7.64	7.23	8.98	7.15	10.32	7.08	11.67	7.01	13.01	6.94	14.36
	3250	8.08	2.33	7.91	3.72	7.79	5.10	7.68	6.49	7.58	7.88	7.49	9.27	7.41	10.65	7.34	12.04	7.27	13.43	7.20	14.81
	3350	8.34	2.40	8.18	3.83	8.05	5.26	7.94	6.69	7.84	8.12	7.75	9.55	7.67	10.98	7.60	12.41	7.53	13.84	7.46	15.27
	3450	8.61	2.47	8.44	3.95	8.31	5.42	8.20	6.89	8.10	8.36	8.02	9.84	7.94	11.31	7.86	12.78	7.79	14.25	7.73	15.72
3550	8.87	2.55	8.70	4.06	8.57	5.58	8.46	7.09	8.36	8.61	8.28	10.12	8.20	11.64	8.12	13.15	8.05	14.66	7.99	16.18	
3650	9.13	2.62	8.96	4.18	8.83	5.73	8.72	7.29	8.62	8.85	8.54	10.41	8.46	11.96	8.38	13.52	8.31	15.08	8.25	16.64	

EV PERFORMANCE TABLE

NOTE : inlet flow rate Qs=m³/min

Model	RPM	Type EV-100 performance																			
		1000mmAq		2000mmAq		3000mmAq		4000mmAq		5000mmAq		6000mmAq		7000mmAq		8000mmAq		9000mmAq		10000mmAq	
		Qs	kw	Qs	kw	Qs	kw	Qs	kw	Qs	kw	Qs	kw	Qs	kw	Qs	kw	Qs	kw	Qs	kw
100	2050	9.22	2.67	8.97	4.28	8.78	5.88	8.62	7.49	8.48	9.09	8.35	10.70	8.23	12.30	8.12	13.91	8.02	15.51	7.92	17.12
	2150	9.70	2.81	9.45	4.49	9.26	6.17	9.10	7.85	8.96	9.54	8.83	11.22	8.71	12.90	8.60	14.59	8.50	16.27	8.40	17.95
	2250	10.18	2.94	9.93	4.70	9.74	6.46	9.58	8.22	9.44	9.98	9.31	11.74	9.19	13.50	9.08	15.27	8.98	17.03	8.88	18.79
	2350	10.66	3.07	10.41	4.91	10.22	6.75	10.06	8.59	9.92	10.43	9.79	12.27	9.67	14.10	9.56	15.94	9.46	17.78	9.36	19.62
	2450	11.14	3.20	10.89	5.11	10.70	7.03	10.54	8.95	10.40	10.87	10.27	12.79	10.15	14.71	10.04	16.62	9.94	18.54	9.84	20.46
	2550	11.62	3.33	11.37	5.32	11.18	7.32	11.02	9.32	10.88	11.31	10.75	13.31	10.63	15.31	10.52	17.30	10.42	19.30	10.32	21.29
	2650	12.10	3.46	11.85	5.53	11.66	7.61	11.50	9.68	11.35	11.76	11.23	13.83	11.11	15.91	11.00	17.98	10.89	20.05	10.80	22.13
	2750	12.58	3.59	12.33	5.74	12.14	7.89	11.98	10.05	11.83	12.20	11.71	14.35	11.59	16.51	11.48	18.66	11.37	20.81	11.28	22.96
	2850	13.06	3.72	12.81	5.95	12.62	8.18	12.46	10.41	12.31	12.64	12.19	14.87	12.07	17.11	11.96	19.34	11.85	21.57	11.76	23.80
	2950	13.54	3.85	13.29	6.16	13.10	8.47	12.94	10.78	12.79	13.09	12.66	15.40	12.55	17.71	12.44	20.02	12.33	22.33	12.24	24.63
	3050	14.02	3.98	13.77	6.37	13.58	8.76	13.41	11.14	13.27	13.53	13.14	15.92	13.03	18.31	12.92	20.69	12.81	23.08	12.71	25.47
	3650	16.89	4.76	16.64	7.62	16.45	10.48	16.29	13.33	16.15	16.19	16.02	19.05	15.90	21.91	15.79	24.76	15.69	27.62	15.59	30.48
	3750	17.37	4.89	17.12	7.83	16.93	10.76	16.77	13.70	16.63	16.64	16.50	19.57	16.38	22.51	16.27	25.44	16.17	28.38	16.07	31.32

Model	RPM	Type EV-125 performance																			
		1000mmAq		2000mmAq		3000mmAq		4000mmAq		5000mmAq		6000mmAq		7000mmAq		8000mmAq		9000mmAq		10000mmAq	
		Qs	kw	Qs	kw	Qs	kw	Qs	kw	Qs	kw	Qs	kw	Qs	kw	Qs	kw	Qs	kw	Qs	kw
125	2050	11.60	3.34	11.32	5.35	11.11	7.36	10.93	9.36	10.76	11.37	10.62	13.37	10.49	15.38	10.36	17.39	10.25	19.39	10.14	21.40
	2150	12.20	3.51	11.92	5.61	11.71	7.71	11.52	9.82	11.36	11.92	11.22	14.03	11.09	16.13	10.96	18.23	10.85	20.34	10.74	22.44
	2250	12.80	3.67	12.52	5.87	12.31	8.07	12.12	10.28	11.96	12.48	11.82	14.68	11.69	16.88	11.56	19.08	11.44	21.28	11.33	23.49
	2350	13.40	3.83	13.12	6.13	12.90	8.43	12.72	10.73	12.56	13.03	12.42	15.33	12.28	17.63	12.16	19.93	12.04	22.23	11.93	24.53
	2450	14.00	4.00	13.72	6.39	13.50	8.79	13.32	11.19	13.16	13.59	13.02	15.98	12.88	18.38	12.76	20.78	12.64	23.18	12.53	25.57
	2550	14.60	4.16	14.32	6.65	14.10	9.15	13.92	11.65	13.76	14.14	13.62	16.64	13.48	19.13	13.36	21.63	13.24	24.12	13.13	26.62
	2650	15.20	4.32	14.92	6.92	14.70	9.51	14.52	12.10	14.36	14.70	14.21	17.29	14.08	19.88	13.96	22.48	13.84	25.07	13.73	27.66
	2750	15.80	4.49	15.52	7.18	15.30	9.87	15.12	12.56	14.96	15.25	14.81	17.94	14.68	20.63	14.56	23.32	14.44	26.01	14.33	28.71
	2850	16.40	4.65	16.12	7.44	15.90	10.23	15.72	13.02	15.56	15.80	15.41	18.59	15.28	21.38	15.16	24.17	15.04	26.96	14.93	29.75
	2950	17.00	4.81	16.71	7.70	16.50	10.59	16.32	13.47	16.16	16.36	16.01	19.25	15.88	22.13	15.76	25.02	15.64	27.91	15.53	30.79
	3050	17.60	4.97	17.31	7.96	17.10	10.94	16.92	13.93	16.76	16.91	16.61	19.90	16.48	22.88	16.35	25.87	16.24	28.85	16.13	31.84
	3150	18.19	5.14	17.91	8.22	17.70	11.30	17.52	14.39	17.36	17.47	17.21	20.55	17.08	23.63	16.95	26.72	16.84	29.80	16.73	32.88
	3250	18.79	5.30	18.51	8.48	18.30	11.66	18.11	14.84	17.95	18.02	17.81	21.20	17.68	24.38	17.55	27.56	17.44	30.74	17.33	33.92
	3350	19.39	5.46	19.11	8.74	18.90	12.02	18.71	15.30	18.55	18.58	18.41	21.86	18.28	25.13	18.15	28.41	18.04	31.69	17.93	34.97
3450	19.99	5.63	19.71	9.00	19.49	12.38	19.31	15.76	19.15	19.13	19.01	22.51	18.87	25.88	18.75	29.26	18.63	32.64	18.52	36.01	
3550	20.59	5.79	20.31	9.26	20.09	12.74	19.91	16.21	19.75	19.69	19.61	23.16	19.47	26.63	19.35	30.11	19.23	33.58	19.12	37.06	

Model	RPM	Type EV-150A performance																			
		1000mmAq		2000mmAq		3000mmAq		4000mmAq		5000mmAq		6000mmAq		7000mmAq		8000mmAq		9000mmAq		10000mmAq	
		Qs	kw	Qs	kw	Qs	kw	Qs	kw	Qs	kw	Qs	kw	Qs	kw	Qs	kw	Qs	kw	Qs	kw
150A	1650	19.17	5.52	18.71	8.84	18.36	12.15	18.06	15.46	17.79	18.78	17.55	22.09	17.34	25.40	17.13	28.72	16.94	32.03	16.76	35.35
	1750	20.40	5.86	19.94	9.37	19.58	12.89	19.29	16.40	19.02	19.92	18.78	23.43	18.57	26.94	18.36	30.46	18.17	33.97	17.99	37.49
	1850	21.63	6.19	21.17	9.91	20.81	13.62	20.52	17.34	20.25	21.05	20.01	24.77	19.79	28.48	19.59	32.20	19.40	35.91	19.22	39.63
	1950	22.86	6.53	22.40	10.44	22.04	14.36	21.74	18.28	21.48	22.19	21.24	26.11	21.02	30.02	20.82	33.94	20.63	37.86	20.45	41.77
	2050	24.09	6.86	23.63	10.98	23.27	15.10	22.97	19.21	22.71	23.33	22.47	27.45	22.25	31.56	22.05	35.68	21.86	39.80	21.68	43.91
	2150	25.32	7.20	24.86	11.51	24.50	15.83	24.20	20.15	23.94	24.47	23.70	28.79	23.48	33.10	23.28	37.42	23.09	41.74	22.91	46.06
	2250	26.55	7.53	26.09	12.05	25.73	16.57	25.43	21.09	25.17	25.61	24.93	30.12	24.71	34.64	24.51	39.16	24.32	43.68	24.14	48.20
	2350	27.78	7.87	27.32	12.59	26.96	17.30	26.66	22.02	26.40	26.74	26.16	31.46	25.94	36.18	25.74	40.90	25.55	45.62	25.37	50.34
	2450	29.01	8.20	28.55	13.12	28.19	18.04	27.89	22.96	27.63	27.88	27.39	32.80	27.17	37.72	26.97	42.64	26.78	47.56	26.60	52.48
	2550	30.24	8.54	29.78	13.66	29.42	18.78	29.12	23.90	28.86	29.02	28.62	34.14	28.40	39.26	28.20	44.38	28.01	49.50	27.83	54.63
	2650	31.47	8.87	31.01	14.19	30.65	19.51	30.35	24.84	30.09	30.16	29.85	35.48	29.63	40.80	29.43	46.12	29.24	51.45	29.06	56.77
	2750	32.70	9.20	32.23	14.73	31.88	20.25	31.58	25.77	31.32	31.30	31.08	36.82	30.86	42.34	30.66	47.86	30.47	53.39	30.28	58.91
	2850	33.93	9.54	33.46	15.26	33.11	20.99	32.81	26.71	32.55	32.43	32.31	38.16	32.09	43.88	31.89	49.60	31.70	55.33	31.51	61.05
	2950	35.16	9.87	34.69	15.80	34.34	21.72	34.04	27.65	33.78	33.57	33.54	39.50	33.32	45.42	33.12	51.34	32.92	57.27	32.74	63.19

Model	RPM	Type EV-150 performance																			
		1000mmAq		2000mmAq		3000mmAq		4000mmAq		5000mmAq		6000mmAq		7000mmAq		8000mmAq		9000mmAq		10000mmAq	
		Qs	kw	Qs	kw	Qs	kw	Qs	kw	Qs	kw	Qs	kw	Qs	kw	Qs	kw	Qs	kw	Qs	kw
150	1650	28.40	8.07	27.88	12.91	27.48	17.76	27.15	22.60	26.85	27.44	26.58	32.29	26.34	37.13	26.11	41.97	25.89	46.82	25.69	51.66
	1750	30.20	8.56	29.68	13.70	29.28	18.83	28.94	23.97	28.65	29.11	28.38	34.24	28.13	39.38	27.90	44.52	27.69	49.65	27.49	54.79
	1850	31.99	9.05	31.47	14.48	31.08	19.91	30.74	25.34	30.44	30.77	30.18	36.20	29.93	41.63	29.70	47.06	29.49	52.49	29.28	57.92
	1950	33.79	9.54	33.27	15.26	32.87	20.99	32.54	26.71	32.24	32.43	31.97	38.16	31.73	43.88	31.50	49.60	31.28	55.33	31.08	61.05
	2050	35.59	10.03	35.07	16.05	34.67	22.06	34.33	28.08	34.04	34.10	33.77	40.11	33.52	46.13	33.30	52.15	33.08	58.17	32.88	64.18
	2150	37.38	10.52	36.86	16.83	36.47	23.14	36.13	29.45	35.83	35.76	35.57	42.07	35.32	48.38	35.09	54.69	34.88	61.00	34.67	67.31
	2250	39.18	11.01	38.66	17.61	38.26	24.22	37.93	30.82	37.63	37.42	37.36	44.03	37.12	50.63	36.89	57.24	36.67	63.84	36.47	70.44
	2350	40.98	11.50	40.46																	

EV PERFORMANCE TABLE

NOTE : inlet flow rate $Q_s=m^3/min$

Model	RPM	Type EV-200 performance																			
		1000mmAq		2000mmAq		3000mmAq		4000mmAq		5000mmAq		6000mmAq		7000mmAq		8000mmAq		9000mmAq		10000mmAq	
		Qs	kw	Qs	kw	Qs	kw	Qs	kw	Qs	kw	Qs	kw	Qs	kw	Qs	kw	Qs	kw	Qs	kw
200	1470	33.69	9.71	32.88	15.53	32.26	21.35	31.74	27.17	31.27	33.00	30.86	38.82	30.47	44.64	30.12	50.47	29.78	56.29	29.46	62.11
	1560	35.88	10.30	35.07	16.48	34.44	22.66	33.92	28.84	33.46	35.02	33.04	41.20	32.66	47.38	32.30	53.56	31.96	59.74	31.64	65.92
	1650	38.06	10.89	37.25	17.43	36.63	23.97	36.10	30.50	35.64	37.04	35.22	43.57	34.84	50.11	34.48	56.65	34.15	63.18	33.83	69.72
	1750	40.49	11.55	39.67	18.49	39.05	25.42	38.53	32.35	38.07	39.28	37.65	46.22	37.26	53.15	36.91	60.08	36.57	67.01	36.25	73.94
	1850	42.91	12.21	42.10	19.54	41.48	26.87	40.95	34.20	40.49	41.53	40.07	48.86	39.69	56.18	39.33	63.51	39.00	70.84	38.68	78.17
	1950	45.34	12.87	44.52	20.60	43.90	28.32	43.38	36.05	42.92	43.77	42.50	51.50	42.11	59.22	41.76	66.95	41.42	74.67	41.10	82.39
	2050	47.76	13.53	46.95	21.66	46.33	29.78	45.80	37.90	45.34	46.02	44.92	54.14	44.54	62.26	44.18	70.38	43.85	78.50	43.53	86.62
	2150	50.19	14.19	49.38	22.71	48.75	31.23	48.23	39.74	47.77	48.26	47.35	56.78	46.96	65.30	46.61	73.81	46.27	82.33	45.95	90.85
	2250	52.61	14.85	51.80	23.77	51.18	32.68	50.65	41.59	50.19	50.51	49.77	59.42	49.39	68.33	49.03	77.25	48.70	86.16	48.38	95.07
	2350	55.04	15.52	54.23	24.82	53.60	34.13	53.08	43.44	52.62	52.75	52.20	62.06	51.82	71.37	51.46	80.68	51.12	89.99	50.80	99.30
	2450	57.46	16.18	56.65	25.88	56.03	35.59	55.50	45.29	55.04	55.00	54.62	64.70	54.24	74.41	53.88	84.11	53.55	93.82	53.23	103.52
2550	59.89	16.84	59.08	26.94	58.45	37.04	57.93	47.14	57.47	57.24	57.05	67.34	56.67	77.44	56.31	87.54	55.97	97.65	55.65	107.75	

Model	RPM	Type EV-250 performance																			
		1000mmAq		2000mmAq		3000mmAq		4000mmAq		5000mmAq		6000mmAq		7000mmAq		8000mmAq		9000mmAq		10000mmAq	
		Qs	kw	Qs	kw	Qs	kw	Qs	kw	Qs	kw	Qs	kw	Qs	kw	Qs	kw	Qs	kw	Qs	kw
250	1320	60.63	17.17	59.62	27.48	58.84	37.78	58.18	48.08	57.61	58.38	57.08	68.69	56.60	78.99	56.16	89.29	55.74	99.60	55.34	109.90
	1390	63.98	18.08	62.96	28.93	62.19	39.78	61.53	50.63	60.95	61.48	60.43	72.33	59.95	83.18	59.50	94.03	59.08	104.88	58.68	115.73
	1480	68.28	19.25	67.26	30.81	66.49	42.36	65.83	53.91	65.25	65.46	64.73	77.01	64.25	88.57	63.80	100.12	63.38	111.67	62.99	123.22
	1560	72.10	20.29	71.09	32.47	70.31	44.65	69.65	56.82	69.08	69.00	68.55	81.18	68.07	93.35	67.63	105.53	67.21	117.71	66.81	129.88
	1650	76.40	21.46	75.39	34.34	74.61	47.22	73.95	60.10	73.38	72.98	72.85	85.86	72.37	98.74	71.93	111.62	71.51	124.50	71.11	137.38
	1750	81.18	22.77	80.17	36.43	79.39	50.08	78.73	63.74	78.16	77.40	77.63	91.06	77.15	104.72	76.71	118.38	76.29	132.04	75.89	145.70
	1850	85.96	24.07	84.95	38.51	84.17	52.95	83.51	67.39	82.93	81.83	82.41	96.27	81.93	110.71	81.48	125.15	81.06	139.59	80.67	154.03
	1950	90.74	25.37	89.73	40.59	88.95	55.81	88.29	71.03	87.71	86.25	87.19	101.47	86.71	116.69	86.26	131.91	85.84	147.13	85.45	162.35

Model	RPM	Type EV-300A performance																			
		1000mmAq		2000mmAq		3000mmAq		4000mmAq		5000mmAq		6000mmAq		7000mmAq		8000mmAq		9000mmAq		10000mmAq	
		Qs	kw	Qs	kw	Qs	kw	Qs	kw	Qs	kw	Qs	kw	Qs	kw	Qs	kw	Qs	kw	Qs	kw
300A	1050	64.04	18.21	62.85	29.14	61.94	40.07	61.17	51.00	60.50	61.92	59.88	72.85	59.32	83.78	58.80	94.71	58.31	105.63	57.84	116.56
	1110	67.86	19.25	66.67	30.81	65.76	42.36	64.99	53.91	64.32	65.46	63.71	77.01	63.14	88.57	62.62	100.12	62.13	111.67	61.66	123.22
	1180	72.32	20.47	71.13	32.75	70.22	45.03	69.46	57.31	68.78	69.59	68.17	81.87	67.60	94.15	67.08	106.43	66.59	118.71	66.12	130.99
	1250	76.78	21.68	75.59	34.69	74.68	47.70	73.92	60.71	73.24	73.72	72.63	86.73	72.06	99.74	71.54	112.75	71.05	125.75	70.58	138.76
	1320	81.24	22.90	80.05	36.63	79.14	50.37	78.38	64.11	77.70	77.85	77.09	91.58	76.53	105.32	76.00	119.06	75.51	132.80	75.04	146.53
	1390	85.70	24.11	84.51	38.58	83.60	53.04	82.84	67.51	82.16	81.97	81.55	96.44	80.99	110.91	80.46	125.37	79.97	139.84	79.50	154.30
	1480	91.44	25.67	90.25	41.07	89.34	56.48	88.57	71.88	87.89	87.28	87.28	102.68	86.72	118.09	86.20	133.49	85.70	148.89	85.24	164.30
	1560	96.53	27.06	95.35	43.29	94.44	59.53	93.67	75.76	92.99	92.00	92.38	108.24	91.82	124.47	91.29	140.71	90.80	156.94	90.34	173.18
	1650	102.27	28.62	101.08	45.79	100.17	62.96	99.40	80.14	98.73	97.31	98.11	114.48	97.55	131.65	97.03	148.82	96.54	166.00	96.07	183.17
	1750	108.64	30.35	107.45	48.57	106.54	66.78	105.77	84.99	105.10	103.21	104.49	121.42	103.92	139.63	103.40	157.84	102.91	176.06	102.44	194.27
	1850	115.01	32.09	113.82	51.34	112.91	70.60	112.15	89.85	111.47	109.10	110.86	128.36	110.30	147.61	109.77	166.86	109.28	186.12	108.82	205.37

Model	RPM	Type EV-300 performance																			
		1000mmAq		2000mmAq		3000mmAq		4000mmAq		5000mmAq		6000mmAq		7000mmAq		8000mmAq		9000mmAq		10000mmAq	
		Qs	kw	Qs	kw	Qs	kw	Qs	kw	Qs	kw	Qs	kw	Qs	kw	Qs	kw	Qs	kw	Qs	kw
300	1050	91.19	25.88	89.58	41.40	88.35	56.93	87.31	72.46	86.40	87.98	85.57	103.51	84.81	119.04	84.10	134.56	83.44	150.09	82.81	165.62
	1110	96.62	27.36	95.01	43.77	93.78	60.18	92.74	76.60	91.83	93.01	91.00	109.42	90.24	125.84	89.53	142.25	88.87	158.67	88.24	175.08
	1180	102.95	29.08	101.35	46.53	100.12	63.98	99.08	81.43	98.17	98.88	97.34	116.32	96.58	133.77	95.87	151.22	95.21	168.67	94.58	186.12
	1250	109.29	30.81	107.69	49.29	106.46	67.77	105.42	86.26	104.50	104.74	103.68	123.23	102.92	141.71	102.21	160.19	101.54	178.68	100.92	197.16
	1320	115.63	32.53	114.02	52.05	112.79	71.57	111.76	91.09	110.84	110.61	110.01	130.13	109.25	149.65	108.55	169.16	107.88	188.68	107.25	208.20
	1390	121.97	34.26	120.36	54.81	119.13	75.36	118.09	95.92	117.18	116.47	116.35	137.03	115.59	157.58	114.88	178.13	114.22	198.69	113.59	219.24
	1480	130.11	36.47	128.51	58.36	127.28	80.24	126.24	102.13	125.33	124.01	124.50	145.90	123.74	167.78	123.03	189.67	122.37	211.55	121.74	233.44
	1560	137.36	38.45	135.75	61.51	134.52	84.58	133.48	107.65	132.57	130.72	131.74	153.79	130.98	176.85	130.27	199.92	129.61	222.99	128.98	246.06
	1650	145.51	40.66	143.90	65.06	142.67	89.46	141.63	113.86	140.72	138.26	139.89	162.66	139.13	187.06	138.42	211.46	137.76	235.85	137.13	260.25
	1750	154.56	43.13	152.95	69.01	151.72	94.88	150.68	120.76	149.77	146.64	148.94	172.52	148.18	198.39	147.48	224.27	146.81	250.15	146.18	276.03
	1850	163.61	45.59	162.01	72.95	160.78	100.31	159.74	127.66	158.82	155.02	158.00	182.37	157.24	209.73	156.53	237.09	155.86	264.44	155.24	291.80

EVV PERFORMANCE TABLE

NOTE : inlet flow rate Qs=m³/min

Model	RPM	Type EVV-50 performance											
		-1000mmAq		-2000mmAq		-3000mmAq		-4000mmAq		-5000mmAq			
		Qs	kw	Qs	kw	Qs	kw	Qs	kw	Qs	kw		
50	1950	2.05	0.72	1.92	1.10	1.81	1.47	1.69	1.84	1.56	2.22		
	2050	2.16	0.76	2.04	1.15	1.93	1.55	1.81	1.94	1.68	2.33		
	2150	2.28	0.79	2.16	1.21	2.04	1.62	1.93	2.03	1.80	2.45		
	2250	2.40	0.83	2.27	1.26	2.16	1.70	2.04	2.13	1.91	2.56		
	2350	2.52	0.87	2.39	1.32	2.28	1.77	2.16	2.22	2.03	2.67		
	2450	2.63	0.91	2.51	1.38	2.40	1.85	2.28	2.32	2.15	2.79		
	2550	2.75	0.94	2.63	1.43	2.51	1.92	2.40	2.41	2.27	2.90		
	2650	2.87	0.98	2.75	1.49	2.63	2.00	2.51	2.51	2.38	3.02		
	2750	2.99	1.02	2.86	1.54	2.75	2.07	2.63	2.60	2.50	3.13		
	2850	3.10	1.05	2.98	1.60	2.87	2.15	2.75	2.70	2.62	3.24		
	2950	3.22	1.09	3.10	1.66	2.98	2.22	2.87	2.79	2.74	3.36		
	3050	3.34	1.13	3.22	1.71	3.10	2.30	2.99	2.88	2.85	3.47		
	3150	3.46	1.16	3.33	1.77	3.22	2.37	3.10	2.98	2.97	3.58		
	3250	3.57	1.20	3.45	1.83	3.34	2.45	3.22	3.07	3.09	3.70		
	3350	3.69	1.24	3.57	1.88	3.46	2.52	3.34	3.17	3.21	3.81		
3450	3.81	1.28	3.69	1.94	3.57	2.60	3.46	3.26	3.32	3.93			

Model	RPM	Type EVV-65 performance											
		-1000mmAq		-2000mmAq		-3000mmAq		-4000mmAq		-5000mmAq		-6000mmAq	
		Qs	kw	Qs	kw	Qs	kw	Qs	kw	Qs	kw	Qs	kw
65	1950	2.73	0.96	2.56	1.46	2.41	1.96	2.26	2.46	2.08	2.96	1.60	3.46
	2050	2.88	1.01	2.72	1.54	2.57	2.06	2.41	2.58	2.24	3.11	1.75	3.63
	2150	3.04	1.06	2.88	1.61	2.73	2.16	2.57	2.71	2.39	3.26	1.91	3.81
	2250	3.20	1.11	3.03	1.69	2.88	2.26	2.73	2.84	2.55	3.41	2.07	3.99
	2350	3.35	1.16	3.19	1.76	3.04	2.36	2.88	2.96	2.71	3.56	2.22	4.17
	2450	3.51	1.21	3.35	1.83	3.20	2.46	3.04	3.09	2.86	3.72	2.38	4.34
	2550	3.67	1.26	3.50	1.91	3.35	2.56	3.20	3.22	3.02	3.87	2.54	4.52
	2650	3.82	1.31	3.66	1.98	3.51	2.66	3.35	3.34	3.18	4.02	2.69	4.70
	2750	3.98	1.36	3.82	2.06	3.67	2.76	3.51	3.47	3.34	4.17	2.85	4.88
	2850	4.14	1.40	3.97	2.13	3.82	2.86	3.67	3.59	3.49	4.32	3.01	5.05
	2950	4.29	1.45	4.13	2.21	3.98	2.96	3.82	3.72	3.65	4.48	3.16	5.23
	3050	4.45	1.50	4.29	2.28	4.14	3.07	3.98	3.85	3.81	4.63	3.32	5.41
	3150	4.61	1.55	4.44	2.36	4.29	3.17	4.14	3.97	3.96	4.78	3.48	5.59
	3250	4.76	1.60	4.60	2.43	4.45	3.27	4.29	4.10	4.12	4.93	3.63	5.76
	3350	4.92	1.65	4.76	2.51	4.61	3.37	4.45	4.22	4.28	5.08	3.79	5.94
3450	5.08	1.70	4.91	2.58	4.76	3.47	4.61	4.35	4.43	5.23	3.95	6.12	

Model	RPM	Type EVV-80 performance											
		-1000mmAq		-2000mmAq		-3000mmAq		-4000mmAq		-5000mmAq		-6000mmAq	
		Qs	kw	Qs	kw	Qs	kw	Qs	kw	Qs	kw	Qs	kw
80	1950	4.67	1.40	4.45	2.23	4.26	3.06	4.05	3.89	3.83	4.73	3.55	5.56
	2050	4.93	1.47	4.71	2.35	4.52	3.22	4.32	4.09	4.09	4.97	3.82	5.84
	2150	5.19	1.54	4.98	2.46	4.78	3.38	4.58	4.29	4.35	5.21	4.08	6.13
	2250	5.45	1.61	5.24	2.57	5.04	3.53	4.84	4.49	4.61	5.45	4.34	6.41
	2350	5.71	1.69	5.50	2.69	5.30	3.69	5.10	4.69	4.87	5.70	4.60	6.70
	2450	5.97	1.76	5.76	2.80	5.56	3.85	5.36	4.89	5.13	5.94	4.86	6.98
	2550	6.23	1.83	6.02	2.92	5.82	4.01	5.62	5.09	5.39	6.18	5.12	7.27
	2650	6.49	1.90	6.28	3.03	6.09	4.16	5.88	5.29	5.66	6.42	5.38	7.55
	2750	6.76	1.97	6.54	3.15	6.35	4.32	6.14	5.49	5.92	6.67	5.64	7.84
	2850	7.02	2.04	6.80	3.26	6.61	4.48	6.41	5.69	6.18	6.91	5.91	8.12
	2950	7.28	2.12	7.07	3.37	6.87	4.63	6.67	5.89	6.44	7.15	6.17	8.41
	3050	7.54	2.19	7.33	3.49	7.13	4.79	6.93	6.09	6.70	7.39	6.43	8.69
	3150	7.80	2.26	7.59	3.60	7.39	4.95	7.19	6.29	6.96	7.64	6.69	8.98
	3250	8.06	2.33	7.85	3.72	7.65	5.10	7.45	6.49	7.22	7.88	6.95	9.27
	3350	8.32	2.40	8.11	3.83	7.91	5.26	7.71	6.69	7.48	8.12	7.21	9.55
	3450	8.58	2.47	8.37	3.95	8.18	5.42	7.97	6.89	7.75	8.36	7.47	9.84
	3550	8.85	2.55	8.63	4.06	8.44	5.58	8.23	7.09	8.01	8.61	7.73	10.12
3650	9.11	2.62	8.89	4.18	8.70	5.73	8.50	7.29	8.27	8.85	8.00	10.41	
3750	9.37	2.69	9.16	4.29	8.96	5.89	8.76	7.49	8.53	9.09	8.26	10.69	

EVV PERFORMANCE TABLE

NOTE : inlet flow rate Qs=m³/min

Model	RPM	Type EVV-100 performance											
		-1000mmAq		-2000mmAq		-3000mmAq		-4000mmAq		-5000mmAq		-6000mmAq	
		Qs	kw	Qs	kw	Qs	kw	Qs	kw	Qs	kw	Qs	kw
100	2050	9.19	2.67	8.88	4.28	8.59	5.88	8.29	7.49	7.95	9.09	7.55	10.70
	2150	9.67	2.81	9.36	4.49	9.07	6.17	8.77	7.85	8.43	9.54	8.03	11.22
	2250	10.15	2.94	9.84	4.70	9.55	6.46	9.25	8.22	8.91	9.98	8.51	11.74
	2350	10.63	3.07	10.32	4.91	10.03	6.75	9.73	8.59	9.39	10.43	8.99	12.27
	2450	11.11	3.20	10.79	5.11	10.50	7.03	10.20	8.95	9.87	10.87	9.47	12.79
	2550	11.59	3.33	11.27	5.32	10.98	7.32	10.68	9.32	10.35	11.31	9.95	13.31
	2650	12.07	3.46	11.75	5.53	11.46	7.61	11.16	9.68	10.83	11.76	10.42	13.83
	2750	12.55	3.59	12.23	5.74	11.94	7.89	11.64	10.05	11.31	12.20	10.90	14.35
	2850	13.03	3.72	12.71	5.95	12.42	8.18	12.12	10.41	11.79	12.64	11.38	14.87
	2950	13.51	3.85	13.19	6.16	12.90	8.47	12.60	10.78	12.27	13.09	11.86	15.40
	3050	13.99	3.98	13.67	6.37	13.38	8.76	13.08	11.14	12.74	13.53	12.34	15.92
	3150	14.46	4.11	14.15	6.58	13.86	9.04	13.56	11.51	13.22	13.97	12.82	16.44
3750	17.34	4.89	17.03	7.83	16.74	10.76	16.44	13.70	16.10	16.64	15.70	19.57	
3850	17.82	5.02	17.51	8.04	17.22	11.05	16.92	14.07	16.58	17.08	16.18	20.09	

Model	RPM	Type EVV-125 performance											
		-1000mmAq		-2000mmAq		-3000mmAq		-4000mmAq		-5000mmAq		-6000mmAq	
		Qs	kw	Qs	kw	Qs	kw	Qs	kw	Qs	kw	Qs	kw
125	2050	11.57	3.34	11.21	5.35	10.89	7.36	10.55	9.36	10.17	11.37	9.72	13.37
	2150	12.17	3.51	11.81	5.61	11.49	7.71	11.15	9.82	10.77	11.92	10.32	14.03
	2250	12.77	3.67	12.41	5.87	12.09	8.07	11.75	10.28	11.37	12.48	10.91	14.68
	2350	13.37	3.83	13.01	6.13	12.68	8.43	12.35	10.73	11.97	13.03	11.51	15.33
	2450	13.96	4.00	13.61	6.39	13.28	8.79	12.95	11.19	12.57	13.59	12.11	15.98
	2550	14.56	4.16	14.21	6.65	13.88	9.15	13.54	11.65	13.17	14.14	12.71	16.64
	2650	15.16	4.32	14.81	6.92	14.48	9.51	14.14	12.10	13.77	14.70	13.31	17.29
	2750	15.76	4.49	15.41	7.18	15.08	9.87	14.74	12.56	14.36	15.25	13.91	17.94
	2850	16.36	4.65	16.01	7.44	15.68	10.23	15.34	13.02	14.96	15.80	14.51	18.59
	2950	16.96	4.81	16.61	7.70	16.28	10.59	15.94	13.47	15.56	16.36	15.11	19.25
	3050	17.56	4.97	17.21	7.96	16.88	10.94	16.54	13.93	16.16	16.91	15.71	19.90
	3150	18.16	5.14	17.80	8.22	17.48	11.30	17.14	14.39	16.76	17.47	16.31	20.55
	3250	18.76	5.30	18.40	8.48	18.08	11.66	17.74	14.84	17.36	18.02	16.91	21.20
	3350	19.36	5.46	19.00	8.74	18.68	12.02	18.34	15.30	17.96	18.58	17.51	21.86
	3450	19.96	5.63	19.60	9.00	19.28	12.38	18.94	15.76	18.56	19.13	18.10	22.51
	3550	20.56	5.79	20.20	9.26	19.87	12.74	19.54	16.21	19.16	19.69	18.70	23.16

Model	RPM	Type EVV-150A performance											
		-1000mmAq		-2000mmAq		-3000mmAq		-4000mmAq		-5000mmAq		-6000mmAq	
		Qs	kw	Qs	kw	Qs	kw	Qs	kw	Qs	kw	Qs	kw
150A	1650	19.11	5.52	18.53	8.84	17.99	12.15	17.44	15.46	16.82	18.78	16.07	22.09
	1750	20.34	5.86	19.76	9.37	19.22	12.89	18.67	16.40	18.05	19.92	17.30	23.43
	1850	21.57	6.19	20.99	9.91	20.45	13.62	19.90	17.34	19.28	21.05	18.53	24.77
	1950	22.80	6.53	22.22	10.44	21.68	14.36	21.13	18.28	20.50	22.19	19.76	26.11
	2050	24.03	6.86	23.45	10.98	22.91	15.10	22.36	19.21	21.73	23.33	20.99	27.45
	2150	25.26	7.20	24.68	11.51	24.14	15.83	23.59	20.15	22.96	24.47	22.22	28.79
	2250	26.49	7.53	25.91	12.05	25.37	16.57	24.82	21.09	24.19	25.61	23.45	30.12
	2350	27.72	7.87	27.14	12.59	26.60	17.30	26.04	22.02	25.42	26.74	24.68	31.46
	2450	28.95	8.20	28.37	13.12	27.83	18.04	27.27	22.96	26.65	27.88	25.91	32.80
	2550	30.18	8.54	29.60	13.66	29.06	18.78	28.50	23.90	27.88	29.02	27.14	34.14
	2650	31.41	8.87	30.83	14.19	30.29	19.51	29.73	24.84	29.11	30.16	28.36	35.48
	2750	32.64	9.20	32.06	14.73	31.52	20.25	30.96	25.77	30.34	31.30	29.59	36.82
	2850	33.87	9.54	33.29	15.26	32.75	20.99	32.19	26.71	31.57	32.43	30.82	38.16
	2950	35.10	9.87	34.52	15.80	33.98	21.72	33.42	27.65	32.80	33.57	32.05	39.50

機型 Model	轉速 RPM	Type EVV-150 performance											
		-1000mmAq		-2000mmAq		-3000mmAq		-4000mmAq		-5000mmAq		-6000mmAq	
		Qs	kw	Qs	kw	Qs	kw	Qs	kw	Qs	kw	Qs	kw
150	1650	28.33	8.07	27.68	12.91	27.08	17.76	26.45	22.60	25.75	27.44	24.91	32.29
	1750	30.13	8.56	29.48	13.70	28.87	18.83	28.25	23.97	27.55	29.11	26.71	34.24
	1850	31.93	9.05	31.27	14.48	30.67	19.91	30.05	25.34	29.35	30.77	28.51	36.20
	1950	33.72	9.54	33.07	15.26	32.47	20.99	31.84	26.71	31.14	32.43	30.31	38.16
	2050	35.52	10.03	34.87	16.05	34.26	22.06	33.64	28.08	32.94	34.10	32.10	40.11
	2150	37.32	10.52	36.66	16.83	36.06	23.14	35.44	29.45	34.74	35.76	33.90	42.07
	2250	39.12	11.01	38.46	17.61	37.86	24.22	37.23	30.82	36.53	37.42	35.70	44.03
	2350	40.91	11.50	40.26	18.39	39.65	25.29	39.03	32.19	38.33	39.09	37.49	45.98
	2450	42.71	11.99	42.05	19.18	41.45	26.37	40.83	33.56	40.13	40.75	39.29	47.94
	2550	44.51	12.47	43.85	19.96	43.25	27.44	42.62	34.93	41.93	42.41	41.09	49.90

EVV PERFORMANCE TABLE

NOTE : inlet flow rate $Q_s=m^3/min$

Model	RPM	Type EVV-200 performance											
		-1000mmAq		-2000mmAq		-3000mmAq		-4000mmAq		-5000mmAq		-6000mmAq	
		Qs	kw	Qs	kw	Qs	kw	Qs	kw	Qs	kw	Qs	kw
200	1470	33.59	9.71	32.57	15.53	31.63	21.35	30.65	27.17	29.56	33.00	28.25	38.82
	1560	35.77	10.30	34.75	16.48	33.81	22.66	32.83	28.84	31.74	35.02	30.43	41.20
	1650	37.96	10.89	36.93	17.43	35.99	23.97	35.02	30.50	33.93	37.04	32.62	43.57
	1750	40.38	11.55	39.36	18.49	38.42	25.42	37.44	32.35	36.35	39.28	35.04	46.22
	1850	42.81	12.21	41.79	19.54	40.84	26.87	39.87	34.20	38.78	41.53	37.47	48.86
	1950	45.23	12.87	44.21	20.60	43.27	28.32	42.29	36.05	41.20	43.77	39.89	51.50
	2050	47.66	13.53	46.64	21.66	45.69	29.78	44.72	37.90	43.63	46.02	42.32	54.14
	2150	50.08	14.19	49.06	22.71	48.12	31.23	47.14	39.74	46.05	48.26	44.74	56.78
	2250	52.51	14.85	51.49	23.77	50.54	32.68	49.57	41.59	48.48	50.51	47.17	59.42
	2350	54.93	15.52	53.91	24.82	52.97	34.13	51.99	43.44	50.90	52.75	49.59	62.06
2450	57.36	16.18	56.34	25.88	55.40	35.59	54.42	45.29	53.33	55.00	52.02	64.70	
2550	59.79	16.84	58.76	26.94	57.82	37.04	56.85	47.14	55.75	57.24	54.44	67.34	

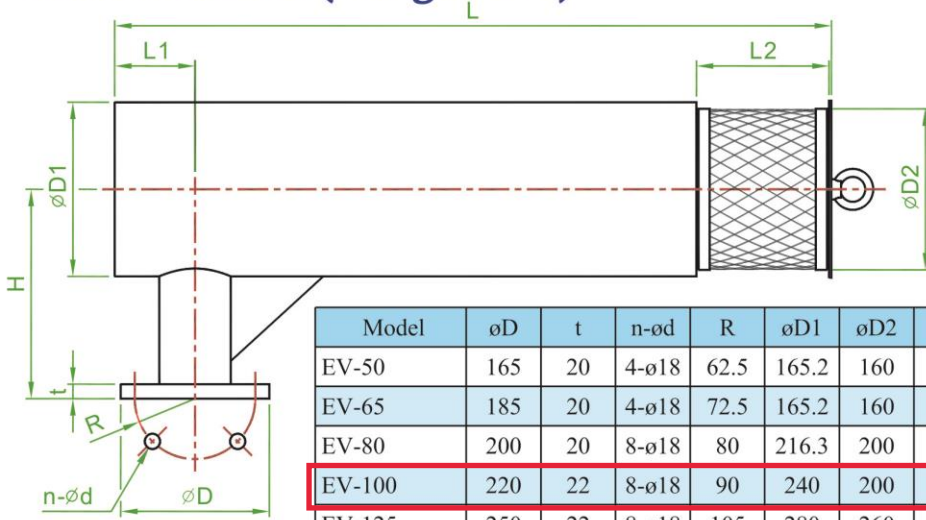
Model	RPM	Type EVV-250 performance											
		-1000mmAq		-2000mmAq		-3000mmAq		-4000mmAq		-5000mmAq		-6000mmAq	
		Qs	kw	Qs	kw	Qs	kw	Qs	kw	Qs	kw	Qs	kw
250	1320	60.50	17.17	59.23	27.48	58.05	37.78	56.83	48.08	55.46	58.38	53.83	68.69
	1390	63.85	18.08	62.57	28.93	61.39	39.78	60.17	50.63	58.81	61.48	57.17	72.33
	1480	68.15	19.25	66.87	30.81	65.69	42.36	64.47	53.91	63.11	65.46	61.47	77.01
	1560	71.97	20.29	70.70	32.47	69.52	44.65	68.30	56.82	66.93	69.00	65.29	81.18
	1650	76.28	21.46	75.00	34.34	73.82	47.22	72.60	60.10	71.23	72.98	69.60	85.86
	1750	81.05	22.77	79.77	36.43	78.60	50.08	77.38	63.74	76.01	77.40	74.37	91.06
	1850	85.83	24.07	84.55	38.51	83.38	52.95	82.16	67.39	80.79	81.83	79.15	96.27
	1950	90.61	25.37	89.33	40.59	88.15	55.81	86.93	71.03	85.57	86.25	83.93	101.47

Model	RPM	Type EVV-300A performance											
		-1000mmAq		-2000mmAq		-3000mmAq		-4000mmAq		-5000mmAq		-6000mmAq	
		Qs	kw	Qs	kw	Qs	kw	Qs	kw	Qs	kw	Qs	kw
300A	1050	63.89	18.21	62.39	29.14	61.01	40.07	59.58	51.00	57.99	61.92	56.07	72.85
	1110	67.71	19.25	66.21	30.81	64.84	42.36	63.41	53.91	61.81	65.46	59.89	77.01
	1180	72.17	20.47	70.67	32.75	69.30	45.03	67.87	57.31	66.27	69.59	64.35	81.87
	1250	76.63	21.68	75.13	34.69	73.76	47.70	72.33	60.71	70.73	73.72	68.81	86.73
	1320	81.09	22.90	79.59	36.63	78.22	50.37	76.79	64.11	75.19	77.85	73.27	91.58
	1390	85.55	24.11	84.05	38.58	82.68	53.04	81.25	67.51	79.65	81.97	77.73	96.44
	1480	91.29	25.67	89.79	41.07	88.41	56.48	86.98	71.88	85.38	87.28	83.47	102.68
	1560	96.38	27.06	94.89	43.29	93.51	59.53	92.08	75.76	90.48	92.00	88.56	108.24
	1650	102.12	28.62	100.62	45.79	99.24	62.96	97.81	80.14	96.22	97.31	94.30	114.48
	1750	108.49	30.35	106.99	48.57	105.61	66.78	104.19	84.99	102.59	103.21	100.67	121.42
1850	114.86	32.09	113.37	51.34	111.99	70.60	110.56	89.85	108.96	109.10	107.04	128.36	

Model	RPM	Type EVV-300 performance											
		-1000mmAq		-2000mmAq		-3000mmAq		-4000mmAq		-5000mmAq		-6000mmAq	
		Qs	kw	Qs	kw	Qs	kw	Qs	kw	Qs	kw	Qs	kw
300	1050	90.98	25.88	88.96	41.40	87.10	56.93	85.16	72.46	83.00	87.98	80.41	103.51
	1110	96.42	27.36	94.39	43.77	92.53	60.18	90.60	76.60	88.44	93.01	85.84	109.42
	1180	102.75	29.08	100.73	46.53	98.86	63.98	96.93	81.43	94.77	98.88	92.18	116.32
	1250	109.09	30.81	107.07	49.29	105.20	67.77	103.27	86.26	101.11	104.74	98.52	123.23
	1320	115.43	32.53	113.40	52.05	111.54	71.57	109.61	91.09	107.45	110.61	104.86	130.13
	1390	121.76	34.26	119.74	54.81	117.88	75.36	115.95	95.92	113.79	116.47	111.19	137.03
	1480	129.91	36.47	127.89	58.36	126.02	80.24	124.09	102.13	121.93	124.01	119.34	145.90
	1560	137.16	38.45	135.13	61.51	133.27	84.58	131.34	107.65	129.18	130.72	126.58	153.79
	1650	145.30	40.66	143.28	65.06	141.42	89.46	139.48	113.86	137.32	138.26	134.73	162.66
	1750	154.36	43.13	152.33	69.01	150.47	94.88	148.54	120.76	146.38	146.64	143.78	172.52
1850	163.41	45.59	161.39	72.95	159.52	100.31	157.59	127.66	155.43	155.02	152.84	182.37	

DIMENSION OF ACCESSORIES

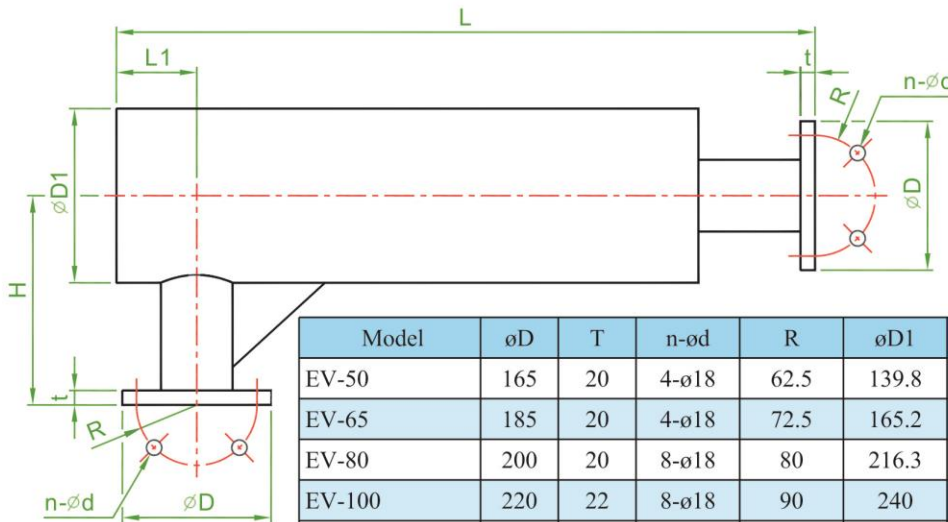
Suction Silencer(Flange PN10)



Model	ϕD	t	n- ϕd	R	$\phi D1$	$\phi D2$	H	L1	L2	L
EV-50	165	20	4- $\phi 18$	62.5	165.2	160	160	90	140	683
EV-65	185	20	4- $\phi 18$	72.5	165.2	160	160	90	140	683
EV-80	200	20	8- $\phi 18$	80	216.3	200	235	100	165	767
EV-100	220	22	8- $\phi 18$	90	240	200	230	175	165	968
EV-125	250	22	8- $\phi 18$	105	280	260	290	165	180	1035
EV-150A/150	285	24	8- $\phi 22$	120	300	290	295	180	190	1180
EV-200	340	24	8- $\phi 22$	147.5	400	350	490	200	404	1408
EV-250	395	26	12- $\phi 22$	175	420	340	430	250	300	1693
EV-300A/300	445	26	12- $\phi 22$	200	500	450	450	250	255	1789

Unit: mm

Discharge Silencer(Flange PN10)

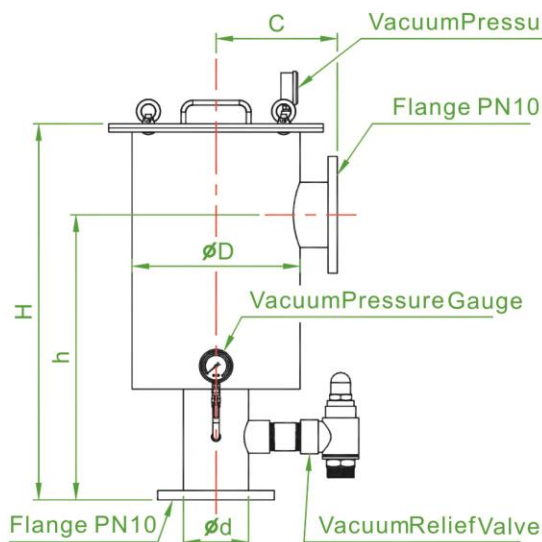


Model	ϕD	T	n- ϕd	R	$\phi D1$	H	L1	L
EV-50	165	20	4- $\phi 18$	62.5	139.8	195	115	695
EV-65	185	20	4- $\phi 18$	72.5	165.2	195	115	695
EV-80	200	20	8- $\phi 18$	80	216.3	235	100	694
EV-100	220	22	8- $\phi 18$	90	240	230	175	895
EV-125	250	22	8- $\phi 18$	105	280	290	205	1155
EV-150A/150	285	24	8- $\phi 22$	120	300	305	200	1205
EV-200	340	24	8- $\phi 22$	147.5	400	440	200	1370
EV-250	395	26	12- $\phi 22$	175	420	430	250	1505
EV-300A/300	445	26	12- $\phi 22$	200	500	450	250	1670

Unit: mm

DIMENSION OF ACCESSORIES

Vacuum Filter Tank



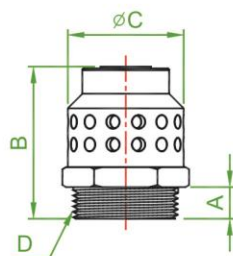
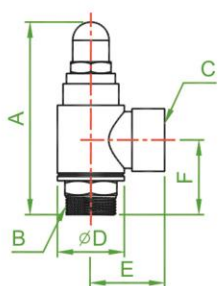
Model	H	h	C	øD	ød	Flange
EVV-50	657	459	202	244	60.5	PN10 2"
EVV-65	657	459	202	244	76.3	PN10 2½"
EVV-80	877	613	202	244	89.1	PN10 3"
EVV-100	877	613	202	244	114.3	PN10 4"
EVV-125	805	610	260	360	139.8	PN10 5"
EVV-150A/150	925	690	260	360	165.2	PN10 6"
EVV-200	1075	770	310	470	216.3	PN10 8"
EVV-250	1200	900	310	470	267.4	PN10 10"
EVV-300A/300	1350	1000	405	600	318	PN10 12"

Unit: mm

Vacuum Relief Valve

VSV

RF



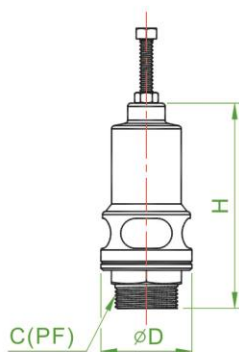
TYPE	A	B	C	D	E	F	Fitting Model
VSV 1¼"	210	1¼"	1¼"	68	51	70	EVV-50/65/80
VSV 2"	255	2"	2"	87	67	106	EVV-100/125/150A/150/200/250

Unit: mm

TYPE	A	B	øC	D	Fitting Model
RF 4"	35	168	128	4"	EVV-300A/300

Unit: mm

Relief Valve

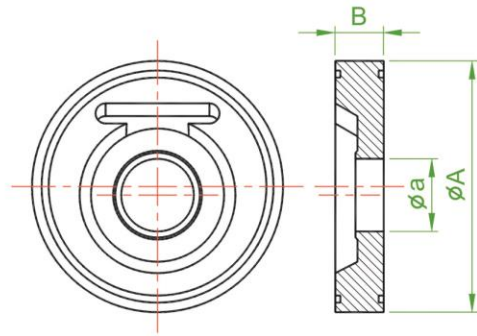


TYPE	H	øD	C	Fitting Model
PP 1¼"	182	72	1¼"	EV-50/65/80
PP 2"	192	85	2"	EV-100/125/150A/150
PP 3"	231	115	3"	EV-200/250/300A/300

Unit: mm

DIMENSION OF ACCESSORIES

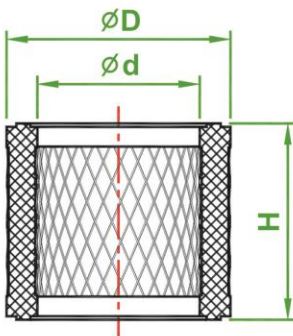
Check Valve



Model	øA	øa	B
EV-50	102.5	37	20
EV-65	124.5	45	24
EV-80	133	52	24
EV-100	157	65	22
EV-125	187	88	24
EV-150A/150	220	110	26
EV-200	269	138	27
EV-250	330	186	28
EV-300A/300	380	212	32

Unit: mm

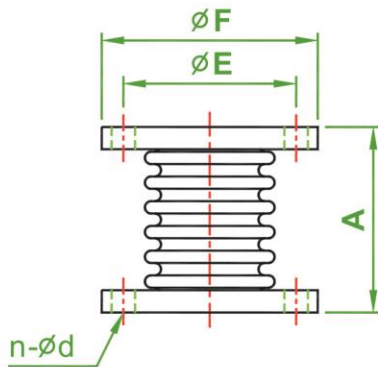
Air Filter



Model	øD	ød	H
EV-50	160	116	140
EV-65	160	116	140
EV-80/100	200	125	165
EV-125	260	170	180
EV-150A/150	290	210	190
EV-200	350	240	404
EV-250	340	281	225
EV-300A/300	450	355	255

Unit: mm

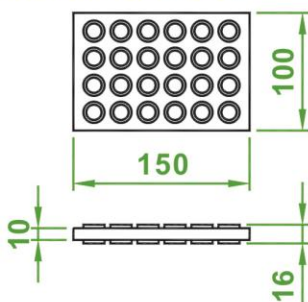
Stainless Steel Flexible Joint(PN10)



Model	A	øE	øF	n-ød
EV-50	150	125	165	4-ø18
EV-65	150	145	185	4-ø18
EV-80	150	160	200	8-ø18
EV-100	150	180	220	8-ø18
EV-125	150	210	250	8-ø18
EV-150A/150	150	240	285	8-ø22
EV-200	200	295	340	8-ø22
EV-250	200	350	395	12-ø22
EV-300A/300	200	400	445	12-ø22

Unit: mm

Vibration Isolator



Fitting Model : all EV/EVV tpe



HEY-WEL
MECHANICAL CO., LTD.

TEL: +886 3 386 8096

FAX: +886 3 386 6342

<http://www.heywel.com.tw/>