

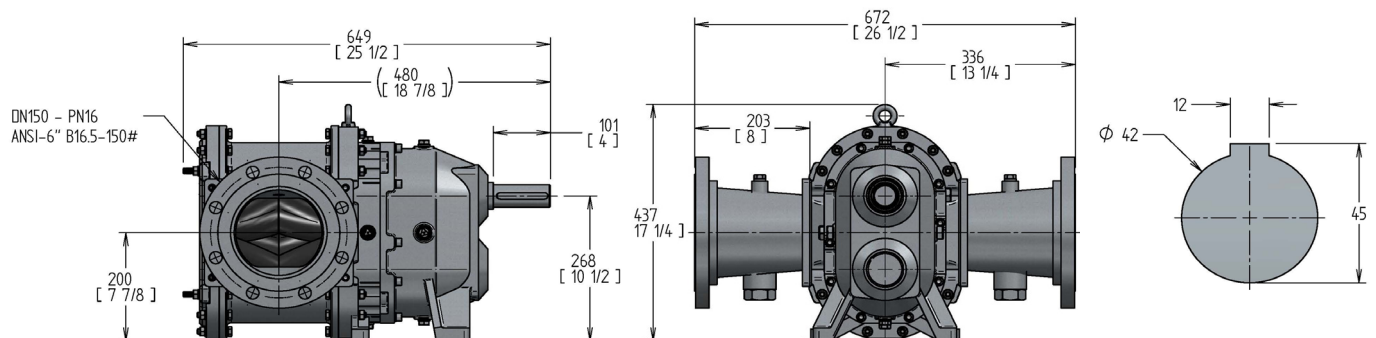
## Positive Displacement Rotary Lobe Pumps

SPECIFICATIONS	US	Metric
Rated Capacity:	0-600gpm	0-136 m <sup>3</sup> /h
Displacement (per 100 revolutions):	100 gal (US)	377 L
Maximum Continuous Pressure:	50 psi	3.4 bar
Starting Torque:	1,685 in lbf	190 N m
Rated Speed:	0-600 RPM	0-600 RPM
Shaft Diameter:	1.65"	42 mm
Flange Connection Class:	ANSI 16.5-150#	DN - PN 16
Flange Connection Size:	ANSI 6"	DN 150
Weight:	390 lbs	175 kg
Solids Handling:		
Spherical Compressible	1.5"	38 mm
Spherical Hard*	1/8"	3 mm

\* Larger hard solids will pass through but may cause damage.

MODEL >	SM100	CM100	DM100
Service	Sludge, Mud and Slurries*	Chemical/Corrosive	Oil, Gas & Abrasives
<b>WETTED PARTS</b>			
<b>Rotary Lobes</b>			
Elastomer	NBR Opt. HNBR, FKM, EPDM or Eng. Rec.	FKM or HNBR Opt. NBR, EPDM or Eng. Rec.	FKM or HNBR Opt. NBR, EPDM or Eng. Rec.
Lobe Profile	Helix	Helix	Helix
Number of lobe wings	4	4	4
Core	Carbon Steel	Carbon Steel	Carbon Steel
<b>Sealing Elastomers</b>			
O-rings	FKM	FKM or Engineer Recommendation	FKM or Engineer Recommendation
Lip seals	FKM or Engineer Recommendation	FKM or Engineer Recommendation	FKM or Engineer Recommendation
<b>Mechanical Seals</b>			
Mechanical Seal	Duronit	Silicon Carbide	Tungsten Carbide
Seal Holders	Opt. Tungsten Carbide, Silicon Carbide, or Eng. Rec. Carbon Steel with Corrosion resistant coating	Opt. Tungsten Carbide or Engineer Rec. Stainless Steel Type 316	Opt. Silicon Carbide or Engineer Rec. Duplex Stainless Steel
<b>Wear Plates</b>	AR500 Steel (Brinell 500)	Duplex Stainless Steel	Duplex Stainless Steel
<b>Housing Segments</b>	ASTM A48 Grey Iron rust primed	Duplex Stainless Steel	Duplex Stainless Steel
<b>Flange Ring</b>	ASTM A36 Carbon Steel	Stainless Steel Type 316L	Duplex Stainless Steel
<b>Bolts</b>	Carbon Steel ISO 898-I	Stainless Steel A2-A4	Duplex Stainless Steel
<b>Pressure Disc</b>	Stainless Steel Type 316L	Stainless Steel Type 316L	Duplex Stainless Steel
<b>LIMITED EXPOSURE PARTS</b>			
<b>Quench /Seal Cooling Chamber</b>	ASTM A48 Grey Iron rust primed	ASTM A48 Grey Iron with PTFE / Ceramic Teflon etched on face	ASTM A48 Grey Iron with PTFE / Ceramic Teflon etched on face
<b>Pump Cover</b>	ASTM A48 Grey Iron rust primed	CIT coated Grey Iron Opt. 316 Stainless Steel	CIT coated Grey Iron Opt. Duplex Stainless Steel
<b>NON-WETTED PARTS</b>			
<b>Gears</b>	GMA Class 9 AISI 1045 steel	GMA Class 9 AISI 1045 steel	GMA Class 9 AISI 1045 steel
<b>Gear Housing</b>	ASTM A48 Grey Iron rust primed	ASTM A48 Grey Iron rust primed	ASTM A48 Grey Iron rust primed
<b>Shaft</b>	AISI 4140 Alloy Steel	AISI 4140 Alloy Steel	AISI 4140 Alloy Steel
<b>PAINTING REQUIREMENTS</b>			
<b>Standard Painting</b>	SSPC/SP6 Sandblast Paint LobePro Blue	SSPC/SP6 Sandblast Paint LobePro Silver	SSPC/SP6 Sandblast Paint LobePro Silver

**NOTE:** Listed above are standard pump assemblies; lobe styles and materials subject to recommendation by LobePro Engineering. A wide range of optional materials are available for each model. Consult LobePro for further information. \*Consult Factory for application temperature above 80°C (175°F).



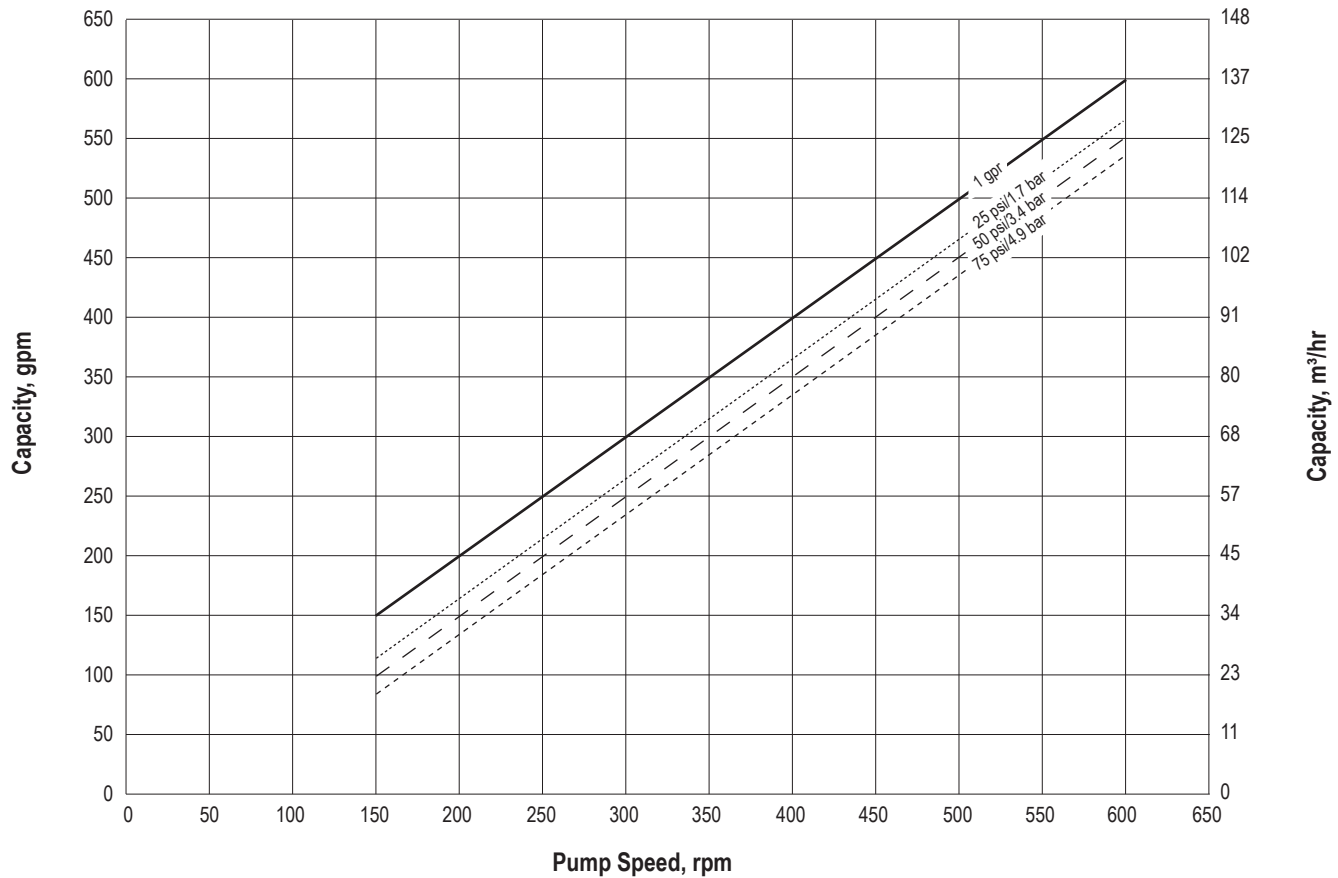
**Section 40-30**

4 September 2020

**M100 CURVES**

**Performance Curve - NBR Lobes\***

Based on 70°F (21°C) fresh water (1 cp) at Sea Level.  
Output will increase as viscosity of the fluid increases from 1.



\*Note: Output from lobes coated with elastomers other than NBR maybe lower. Contact Engineering for further information.

**Horsepower Requirements**

